

## 8 KEYS TOUCH PAD DETECTOR IC

### GENERAL DESCRIPTION

The TTP222 is a touch pad detector IC which offers 8 touch keys. The touching detection IC is designed for replacing traditional direct button key with fixed pad size. Low power consumption and wide operating voltage are the contact key features for DC or AC application.

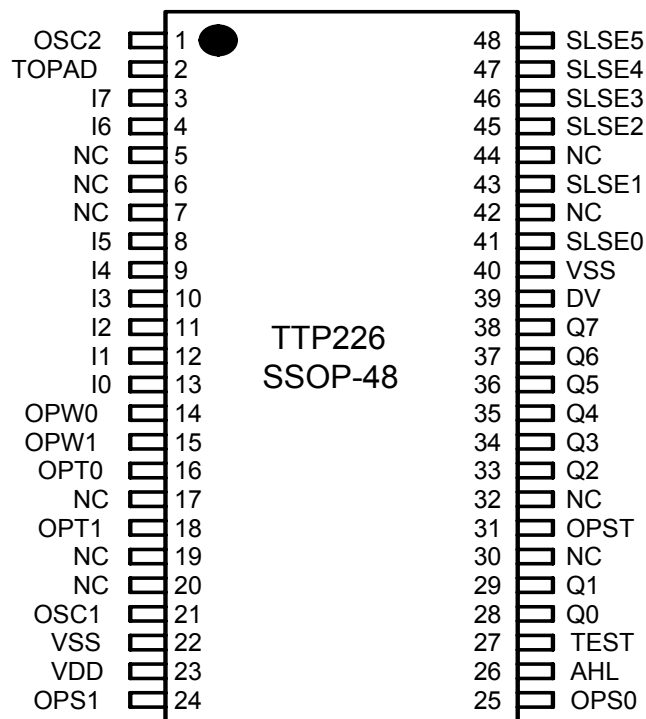
### FEATURES

- Operating voltage 2.0V~5.5V
- Operating current typical 100uA, max 160uA at VDD=3V
- The output refresh rate about 55Hz at VDD=3V
- 64 steps sensitivity selectable (SLSE0~5 pin option)  
Another have offer 2 kinds of base-step (OPST pin option)
- Stable touching detection of human body for replacing traditional direct switch key
- Provides direct mode 、 matrix mode and serial mode selected by pad option
- Maximum 8 input pads and 8 outputs for direct mode;  
Maximum 8 input pads for serial interface mode;  
Maximum 8 input pads provide fixed 2\*4 and 3\*3 matrix types
- Outputs can be selected active high or active low by pad option
- After power-on have 0.8~1.0sec stable-time, during the time do not touch the key-pad, And the function is disabled.
- Auto calibration for life. And the re-calibration period is 0.8~1.0sec.  
When all keys do not touched.

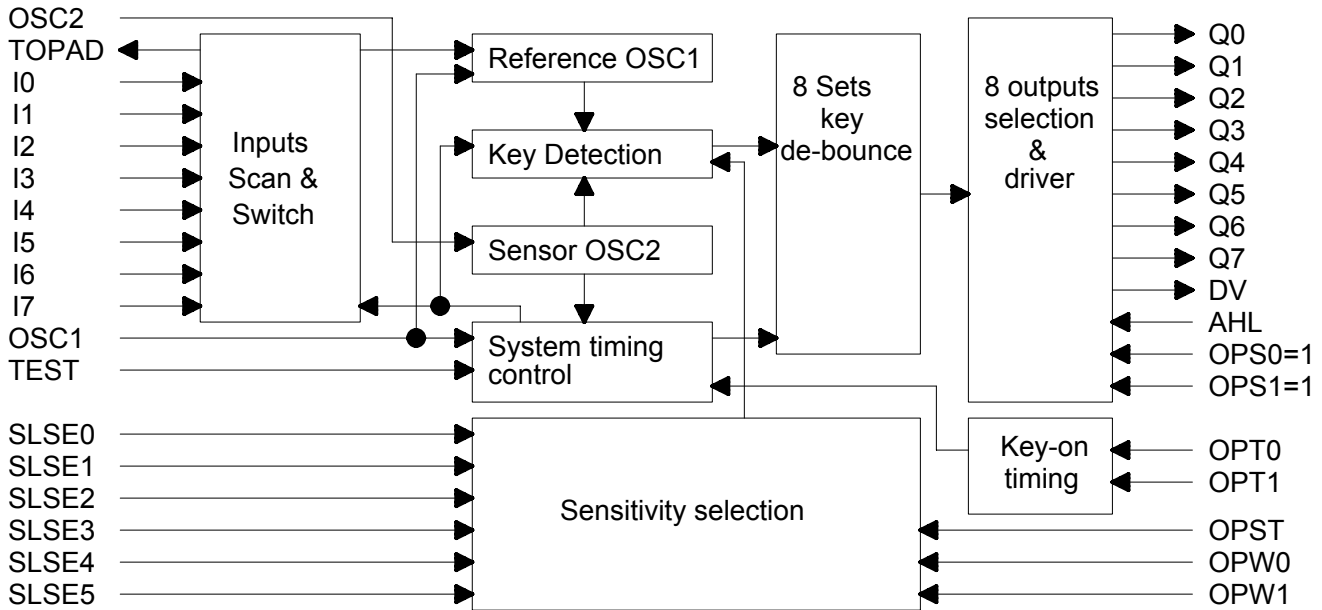
### APPLICATION

- Wide consumer products
- Button key replacement

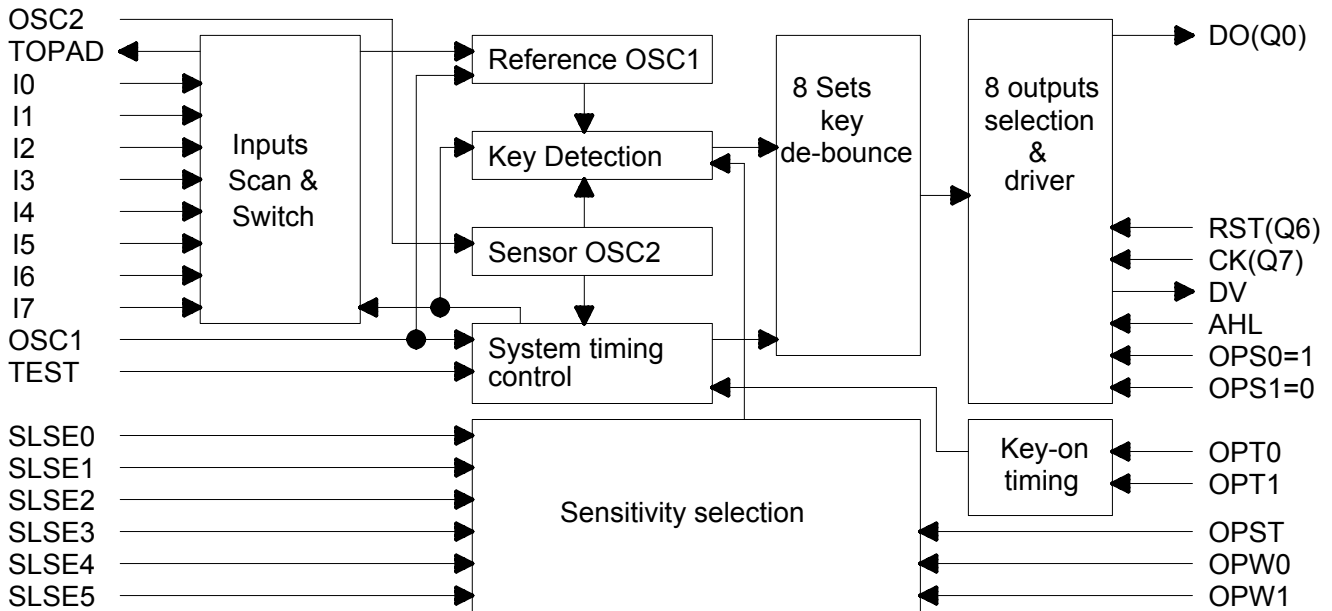
### PACKAGE CONFIGURATION



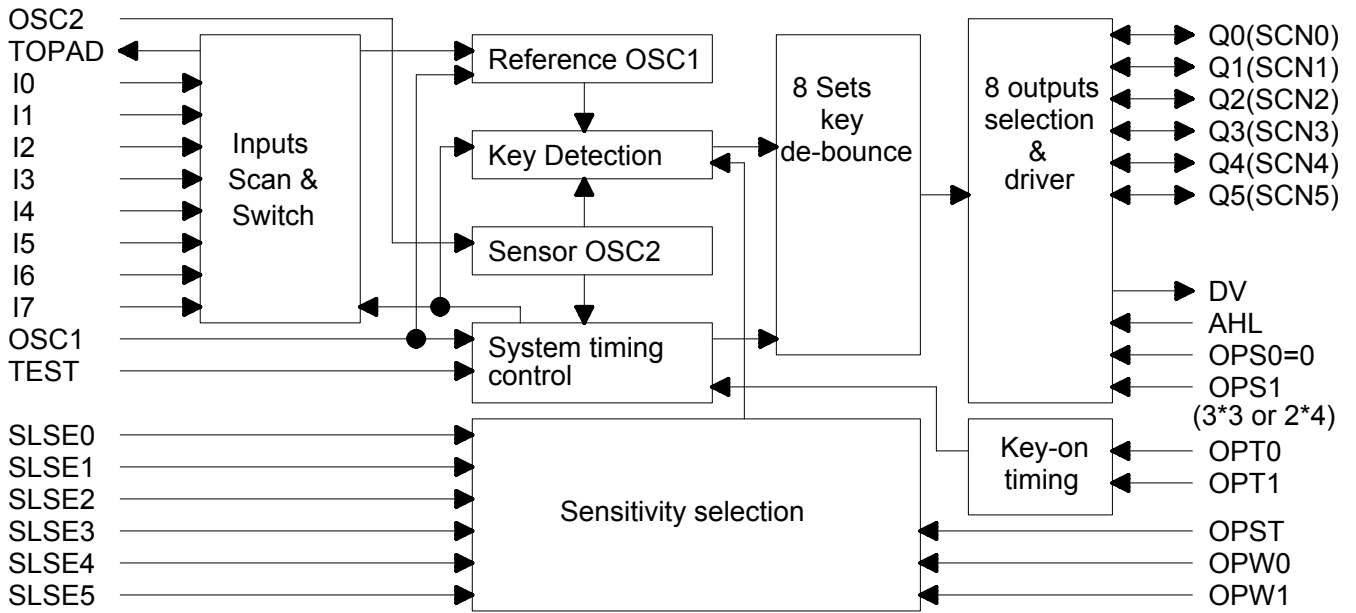
**BLOCK DIAGRAM FOR DIRECT MODE :**



**BLOCK DIAGRAM FOR SERIAL INTERFACE MODE :**



**BLOCK DIAGRAM FOR KEY-MATRIX MODE :**



**PIN DESCRIPTION**

Pin No.	Pin Name	Share Pin	I/O Type	Pin Description
1	OSC2		I/O	Sensor oscillator
2	TOPAD		I	It is the common point of input port internal
3	I7		I	Input port
4	I6		I	Input port
5	NC			
6	NC			
7	NC			
8	I5		I	Input port
9	I4		I	Input port
10	I3		I	Input port
11	I2		I	Input port
12	I1		I	Input port
13	I0		I	Input port
14	OPW0		I-PH	OPW0~1 are option pins to select the windows of key-detected
15	OPW1		I-PH	OPW0~1 are option pins to select the windows of key-detected
16	OPT0		I-PH	OPT0~1 are option pins to select the time of key-on
17	NC			
18	OPT1		I-PH	OPT0~1 are option pins to select the time of key-on
19	NC			
20	NC			
21	OSC1		I/O	System oscillator pin
22	VSS		P	Negative power supply , ground
23	VDD		P	Positive power supply
24	OPS1		I-PH	Output type option pin
25	OPS0		I-PH	Output type option pin
26	AHL		I-PH	Output active high or low selection
27	TEST		I-PH	Only for test , when normal function must be connected to VSS
28	Q0	(DO/SCN0)	I/O	Q0 is output pin on direct mode DO is the shifted data output pin on serial mode SCN0 is the first scanning pin on matrix mode
29	Q1	(SCN1)	I/O	Q1 is output pin on direct mode SCN1 is the second scanning pin on matrix mode
30	NC			
31	OPST		I-PH	Selecting the base step of sensitivity
32	NC			
33	Q2	(SCN2)	I/O	Q2 is output pin on direct mode SCN2 is the third scanning pin on matrix mode
34	Q3	(SCN3)	I/O	Q3 is output pin on direct mode SCN3 is the fourth scanning pin on matrix mode
35	Q4	(SCN4)	I/O	Q4 is output pin on direct mode SCN4 is the fifth scanning pin on matrix mode
36	Q5	(SCN5)	I/O	Q5 is output pin on direct mode SCN5 is the sixth scanning pin on matrix mode
37	Q6	(RST)	I/O	Q6 is output pin on direct mode RST is the reset input pin on serial mode
38	Q7	(CK)	I/O	Q7 is output pin on direct mode CK is the clock input pin on serial mode
39	DV		O	Data valid output signal
40	VSS		P	Negative power supply , ground
41	SLSE0		I-PH	SLSE0~5 are option pins to selected the sensitivity
42	NC			
43	SLSE1		I-PH	SLSE0~5 are option pins to selected the sensitivity
44	NC			
45	SLSE2		I-PH	SLSE0~5 are option pins to selected the sensitivity
46	SLSE3		I-PH	SLSE0~5 are option pins to selected the sensitivity
47	SLSE4		I-PH	SLSE0~5 are option pins to selected the sensitivity
48	SLSE5		I-PH	SLSE0~5 are option pins to selected the sensitivity

Note: > CK and RST input with protection resistor for output collision.

**Pin Type**

I	CMOS input only
O	CMOS push-pull output
I/O	CMOS I/O
I-PH	CMOS input and pull-high resistor
P	Power / Ground

**ELECTRICAL CHARACTERISTICS**
**• Absolute Maximum Ratings**

Parameter	Symbol	Conditions	Value	Unit
Operating Temperature	T <sub>OP</sub>	—	-20 ~ +70	°C
Storage Temperature	T <sub>STG</sub>	—	-50 ~ +125	°C
Power Supply Voltage	VDD	Ta=25°C	VSS-0.3 ~ VSS+5.5	V
Input Voltage	V <sub>IN</sub>	Ta=25°C	VSS-0.3 ~ VDD+0.3	V
Human Body Mode	ESD	—	5	KV

Note : VSS symbolizes for system ground

**• DC/AC Characteristics : (Test condition at room temperature=25°C)**

Parameter	Symbol	Test Condition	Min.	Typ.	Max.	Unit
Operating Voltage	VDD		2.0	3	5.5	V
Reference oscillator	OSC1	VDD=3V	-	440K	-	Hz
Sensor oscillator	OSC2	VDD=3V no load	-	710K	-	Hz
Operating Current	I <sub>OP</sub>	VDD=3V output no load	-	100	160	uA
Input Ports	V <sub>IL</sub>	Input Low Voltage	0	-	0.2	VDD
Input Ports	V <sub>IH</sub>	Input High Voltage	0.8	-	1.0	VDD
Output port Sink Current	I <sub>OL</sub>	VDD=3V, Vol=0.6V	-	8	-	mA
Output Port Source Current	I <sub>OH</sub>	VDD=3V, Voh=2.4V	-	-4	-	mA

**FUNCTION DESCRIPTION**

**1. System timing control**

➤ Input detection sensitivity reserved 6 pin option 64 steps

Features	Characteristic	Example
System clock	OSC1	440KHz at 3V
Output refresh rate	$\leq \text{OSC1}/1024/8$	~55Hz
DV active pulse width	$\leq \text{OSC1}/8$	~55KHz

**2. System initial signal**

System initial or mode initial	
State	Function
Power on reset	System reset to initial state
RST=1	<i>Serial mode shift counter reset</i>

**3. Interrupt**

For MCU system, the interrupt request is useful for software programming. The DV signal offer the considerate output control. The DV is active high or active low optioned by AHL pin. Any active input can pass the de-bounce procedure will active the DV signal.

For different application, some output needs active high and others need active low. The AHL pin can offers the optional feature.

AHL pin option	Active output state
AHL=0	De-bounce Ii trigger the Qi
	DV=0
	Qi=0
AHL=1	De-bounce Ii trigger the Qi
	DV=1
	Qi=1

AHL	Input Ii	Output Qi or DV
0	Non-active	1
	Active	0
1	Non-active	0
	Active	1

**4. Output mode**

Most output modes will operate at direct or serial mode. Only when OPS0=0, the output mode will work as matrix type.

Output type option			
OPS1	OPS0	Output type	Remark
1	1	<i>Direct type</i>	Qi ← de-bounce Ii
0	1	<i>Serial type</i>	Use CK & RST & DO serial out the de-bounce key
1	0	<i>Matrix type</i>	Matrix 3*3 fixed type
0	0	<i>Matrix type</i>	Matrix 2*4 fixed type

a. Direct mode: OPS1=1 & OPS0=1

Direct mode	Output state
Input trigger	De-bounce Ii trigger the Qi

b. Key matrix mode: OPS1=X & OPS0=0

b-1: 2\*4 key map (By OPS1=0)

<i>Matrix</i>	<i>SCN2</i>	<i>SCN3</i>	<i>SCN4</i>	<i>SCN5</i>
<i>SCN0</i>	<b>I0</b>	<b>I2</b>	<b>I4</b>	<b>I6</b>
<i>SCN1</i>	<b>I1</b>	<b>I3</b>	<b>I5</b>	<b>I7</b>

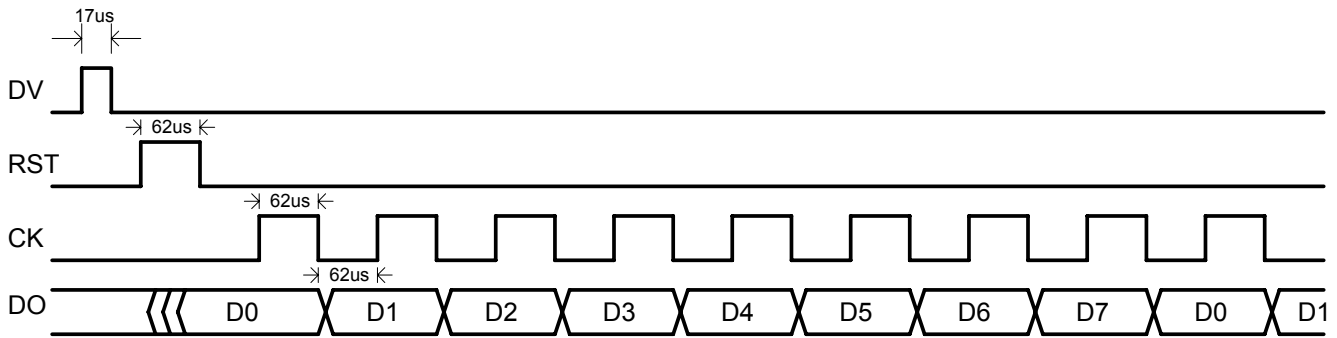
b-2: 3\*3 key map (By OPS1=1)

<i>Matrix</i>	<i>SCN3</i>	<i>SCN4</i>	<i>SCN5</i>
<i>SCN0</i>	<b>I0</b>	<b>I3</b>	<b>I6</b>
<i>SCN1</i>	<b>I1</b>	<b>I4</b>	<b>I7</b>
<i>SCN2</i>	<b>I2</b>	<b>I5</b>	-

c. Serial mode: OPS1=0 & OPS0=1

Serial mode procedure (OPS1=0)		
RESET & CLOCK	Shifter counter	DO
RST =1	0	De-bounce I0
1 <sup>st</sup> CK	1	De-bounce I1
2 <sup>nd</sup> CK	2	De-bounce I2
3 <sup>rd</sup> CK	3	De-bounce I3
4 <sup>th</sup> CK	4	De-bounce I4
5 <sup>th</sup> CK	5	De-bounce I5
6 <sup>th</sup> CK	6	De-bounce I6
7 <sup>th</sup> CK	7	De-bounce I7
8 <sup>th</sup> CK	0	De-bounce I0
9 <sup>th</sup> CK	1	De-bounce I1
-----		

Serial mode RST and CK and DO timing (the value is minimum)



**5. Key on duration time**

OPT1	OPT0	On duration time
1	1	Infinite(disable Key-on-time)
1	0	10 seconds to reset system
0	1	30 seconds to reset system
0	0	60 seconds to reset system

When enable key-on-time, any key of the I0~I7 keys has been detected, it will start the key-on-time counter until releasing key-touch. And for the duration has another key to be detected, the key-on-time counter will be re-counting.

**6. Sensitivity select and Base-step select and Windows of sensitivity select**

- a. The windows of sensitivity select by OPW0 & OPW1 pins. When the windows of sensitivity is selected, and the key has detected, the condition for detecting different number will change from primitive setting numbers to smaller. So the doing will make the key touch detecting stably.

OPW1	OPW0	Windows selecting
1	1	No-windows
1	0	1/2-windows
0	1	1/4-windows
0	0	1/8-windows

- b. The selecting base-step of sensitivity

OPST	Base-step
1	1-step(1 sensor-clock)
0	2-step(2 sensor-clock)

- c. Sensitivity selecting

The key detecting condition is the value (different clock numbers) of No-windows for detecting from no-touching to touching. When the key has been detected, the condition of key detecting and releasing will change to the value of selecting windows for the windows enabling.





Sensitivity table

Pin SLSE[5~0]						The different clock numbers( $\Delta$ CLK)							
5	4	3	2	1	0	1-base-step				2-base-step			
						No-W	1/2-W	1/4-W	1/8-W	No-W	1/2-W	1/4-W	1/8-W
1	1	1	1	1	1	1	-	-	-	2	-	-	-
1	1	1	1	1	0	2	1	1	1	4	2	2	2
1	1	1	1	0	1	3	1	2	2	6	2	4	4
1	1	1	1	0	0	4	2	3	3	8	4	6	6
1	1	1	0	1	1	5	2	3	4	10	4	6	8
1	1	1	0	1	0	6	3	4	5	12	6	8	10
1	1	1	0	0	1	7	3	5	6	14	6	10	12
1	1	1	0	0	0	8	4	6	7	16	8	12	14
1	1	0	1	1	1	9	4	6	7	18	8	12	14
1	1	0	1	1	0	10	5	7	8	20	10	14	16
1	1	0	1	0	1	11	5	8	9	22	10	16	18
1	1	0	1	0	0	12	6	9	10	24	12	18	20
1	1	0	0	1	1	13	6	9	11	26	12	18	22
1	1	0	0	1	0	14	7	10	12	28	14	20	24
1	1	0	0	0	1	15	7	11	13	30	14	22	26
1	1	0	0	0	0	16	8	12	14	32	16	24	28
1	0	1	1	1	1	17	8	12	14	34	16	24	28
1	0	1	1	1	0	18	9	13	15	36	18	26	30
1	0	1	1	0	1	19	9	14	16	38	18	28	32
1	0	1	1	0	0	20	10	15	17	40	20	30	34
1	0	1	0	1	1	21	10	15	18	42	20	30	36
1	0	1	0	1	0	22	11	16	19	44	22	32	38
1	0	1	0	0	1	23	11	17	20	46	22	34	40
1	0	1	0	0	0	24	12	18	21	48	24	36	42
1	0	0	1	1	1	25	12	18	21	50	24	36	42
1	0	0	1	1	0	26	13	19	22	52	26	38	44
1	0	0	1	0	1	27	13	20	23	54	26	40	46
1	0	0	1	0	0	28	14	21	24	56	28	42	48
1	0	0	0	1	1	29	14	21	25	58	28	42	50
1	0	0	0	1	0	30	15	22	26	60	30	44	52
1	0	0	0	0	1	31	15	23	27	62	30	46	54
1	0	0	0	0	0	32	16	24	28	64	32	48	56
0	1	1	1	1	1	33	16	24	28	66	32	48	56
0	1	1	1	1	0	34	17	25	29	68	34	50	58
0	1	1	1	0	1	35	17	26	30	70	34	52	60
0	1	1	1	0	0	36	18	27	31	72	36	54	62
0	1	1	0	1	1	37	18	27	32	74	36	54	64
0	1	1	0	1	0	38	19	28	33	76	38	56	66
0	1	1	0	0	1	39	19	29	34	78	38	58	68
0	1	1	0	0	0	40	20	30	35	80	40	60	70
0	1	0	1	1	1	41	20	30	35	82	40	60	70
0	1	0	1	1	0	42	21	31	36	84	42	62	72
0	1	0	1	0	1	43	21	32	37	86	42	64	74
0	1	0	1	0	0	44	22	33	38	88	44	66	76
0	1	0	0	1	1	45	22	33	39	90	44	66	78
0	1	0	0	1	0	46	23	34	40	92	46	68	80
0	1	0	0	0	1	47	23	35	41	94	46	70	82
0	1	0	0	0	0	48	24	36	42	96	48	72	84
0	0	1	1	1	1	49	24	36	42	98	48	72	84
0	0	1	1	1	0	50	25	37	43	100	50	74	86
0	0	1	1	0	1	51	25	38	44	102	50	76	88
0	0	1	1	0	0	52	26	39	45	104	52	78	90
0	0	1	0	1	1	53	26	39	46	106	52	78	92
0	0	1	0	1	0	54	27	40	47	108	54	80	94
0	0	1	0	0	1	55	27	41	48	110	54	82	96
0	0	1	0	0	0	56	28	42	49	112	56	84	98
0	0	0	1	1	1	57	28	42	49	114	56	84	98
0	0	0	1	1	0	58	29	43	50	116	58	86	100
0	0	0	1	0	1	59	29	44	51	118	58	88	102
0	0	0	1	0	0	60	30	45	52	120	60	90	104
0	0	0	0	1	1	61	30	45	53	122	60	90	106
0	0	0	0	1	0	62	31	46	54	124	62	92	108
0	0	0	0	0	1	63	31	47	55	126	62	94	110
0	0	0	0	0	0	64	32	48	56	128	64	96	112

**7. Option pin**

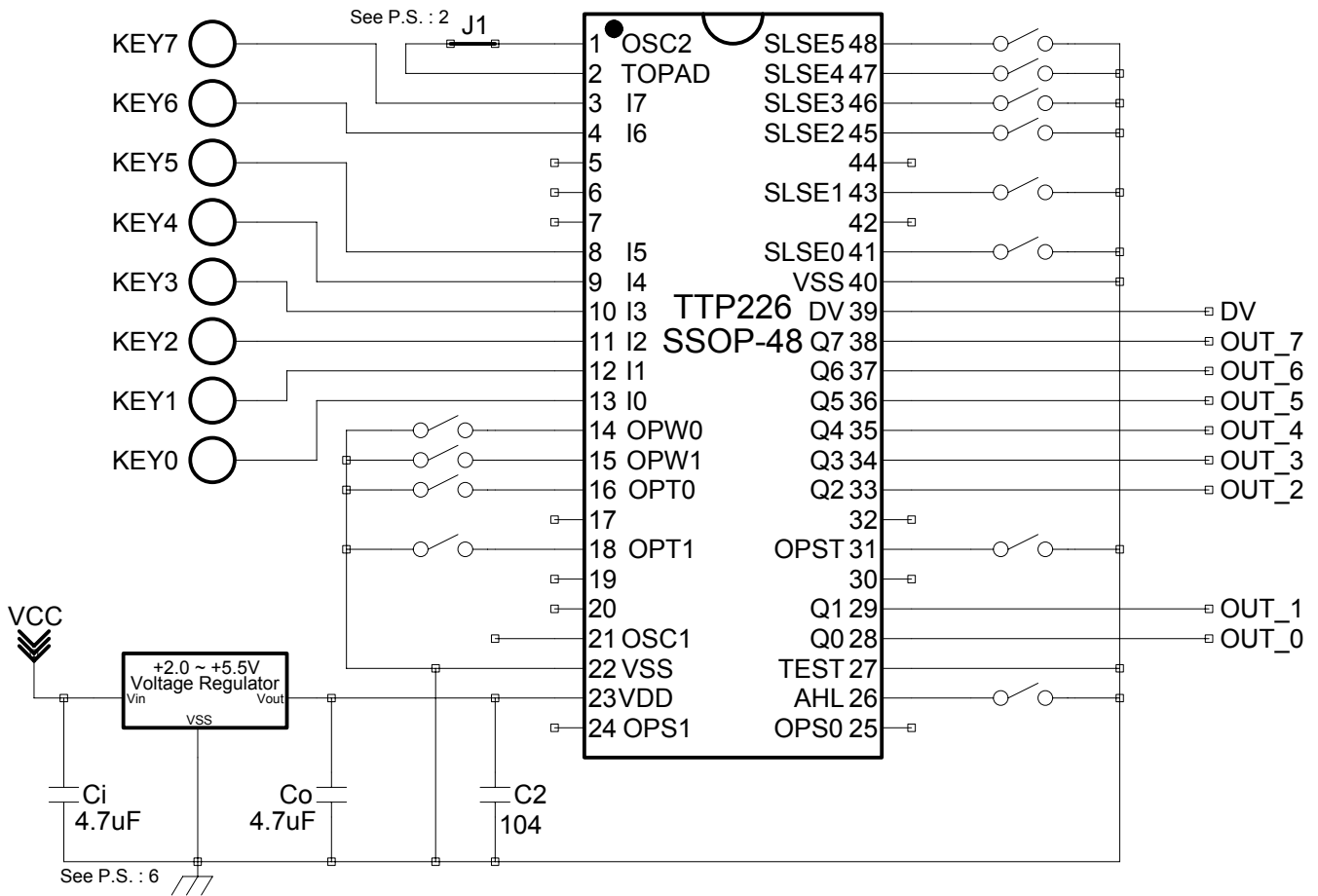
For power saving concern and package bonding option consideration, all the feature option pin with latch type design and initialized as 1 as power on. If those pins are forced to VSS, the states will be changed to 0 without any current leakage to conflict the power saving issue.

Feature option pins	Initial state by Power on
OPW0	1
OPW1	1
OPT0	1
OPT1	1
OPS1	1
OPS0	1
AHL	1
OPST	1
SLSE0~SLSE5 sensitivity	111111

**APPLICATION CIRCUIT**

a. For direct mode

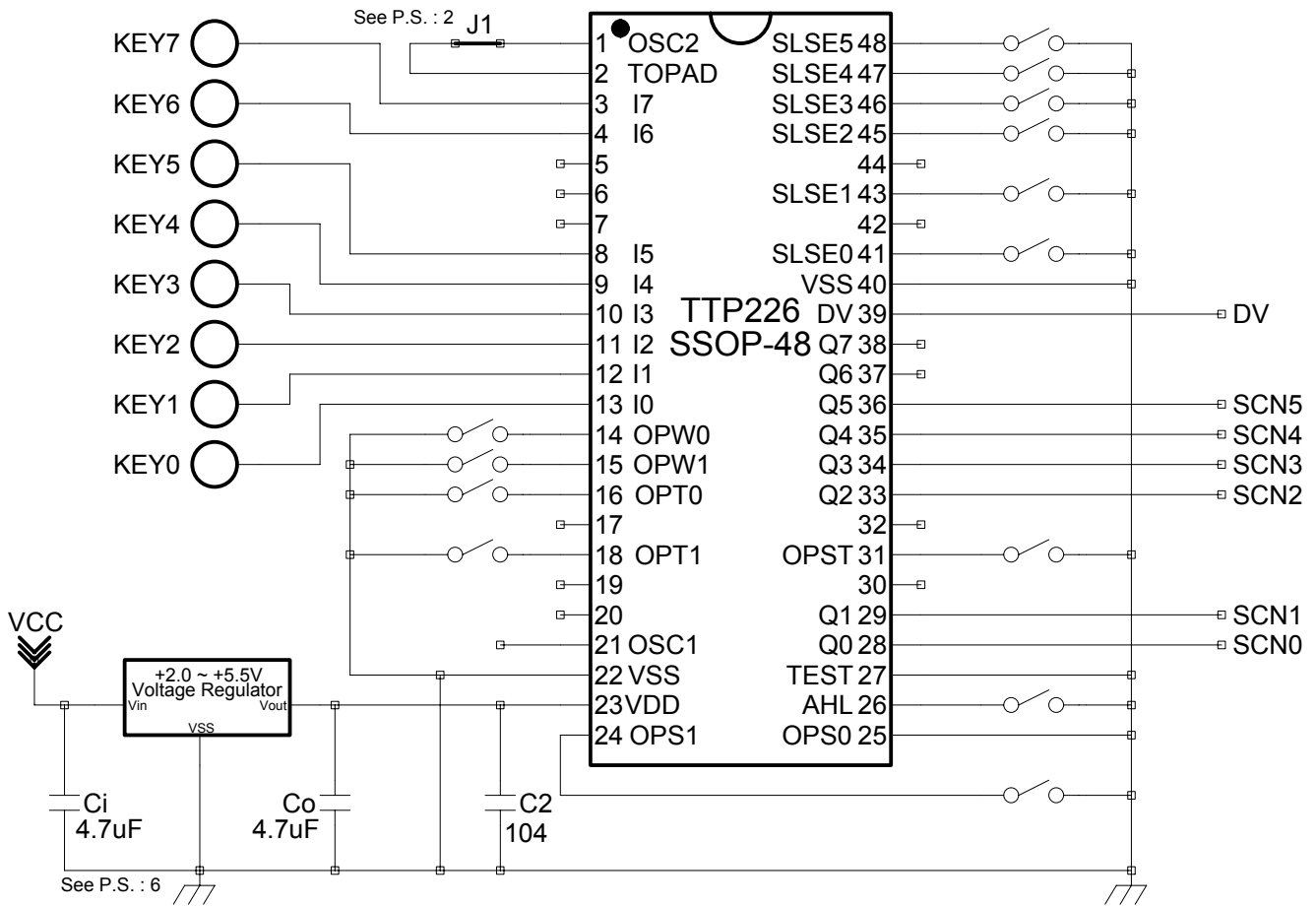
**APPLICATION FOR DIRECT KEY OUTPUT MODE**



- P.S. :
1. On PCB, the length of lines from touch pad to IC pins are best the same with K0 to K7. And the lines do not parallel and cross with other lines.
  2. When the application use larger touch pad, recommend to use capacitor on the place of J1. That can improve the stability. And the value of capacitor can be used by the real application. Other application can be short on the place of J1.
  3. The power supply must be stable. If the supply voltage drift or shift quickly, maybe causing sensitivity anomalies or false detections.
  4. The material of panel covering on the PCB can not include the metal or the electric element. The paints on the surfaces are the same.
  5. The C2 capacitor must be used between VDD and VSS; and should be routed with very short tracks to the device's VDD and VSS pins (TTP226).
  6. The value of capacitors can be used by the real application for Ci and Co capacitors.

b. For matrix key mode

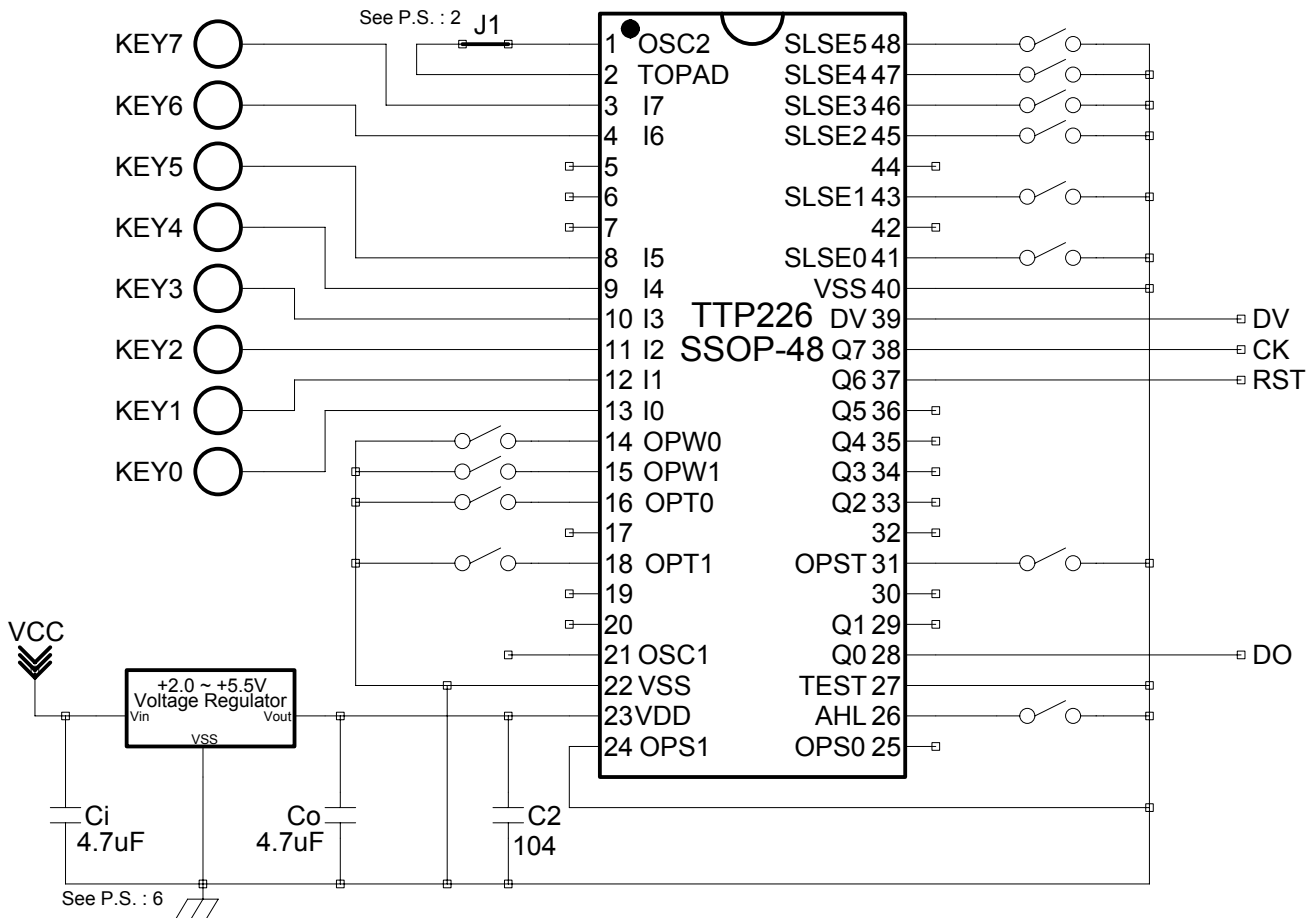
APPLICATION FOR MATRIX KEY OUTPUT MODE



- P.S. : 1. On PCB, the length of lines from touch pad to IC pins are best the same with K0 to K7. And the lines do not parallel and cross with other lines.
2. When the application use larger touch pad, recommend to use capacitor on the place of J1. That can improve the stability. And the value of capacitor can be used by the real application. Other application can be short on the place of J1.
3. The power supply must be stable. If the supply voltage drift or shift quickly, maybe causing sensitivity anomalies or false detections.
4. The material of panel covering on the PCB can not include the metal or the electric element. The paints on the surfaces are the same.
5. The C2 capacitor must be used between VDD and VSS; and should be routed with very short tracks to the device's VDD and VSS pins (TTP226).
6. The value of capacitors can be used by the real application for Ci and Co capacitors.

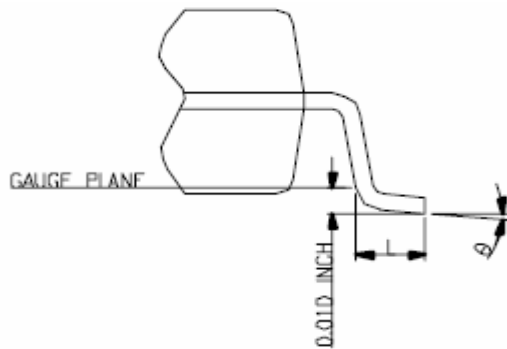
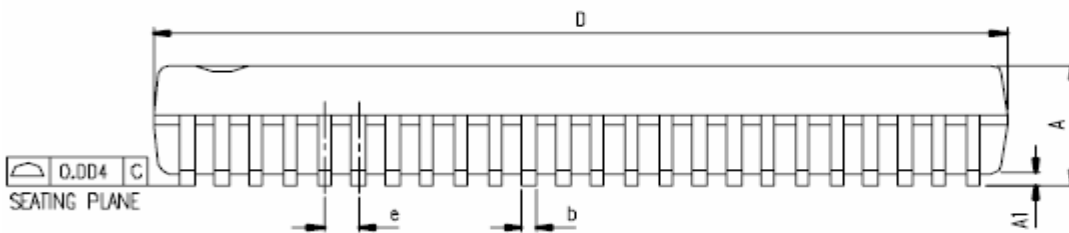
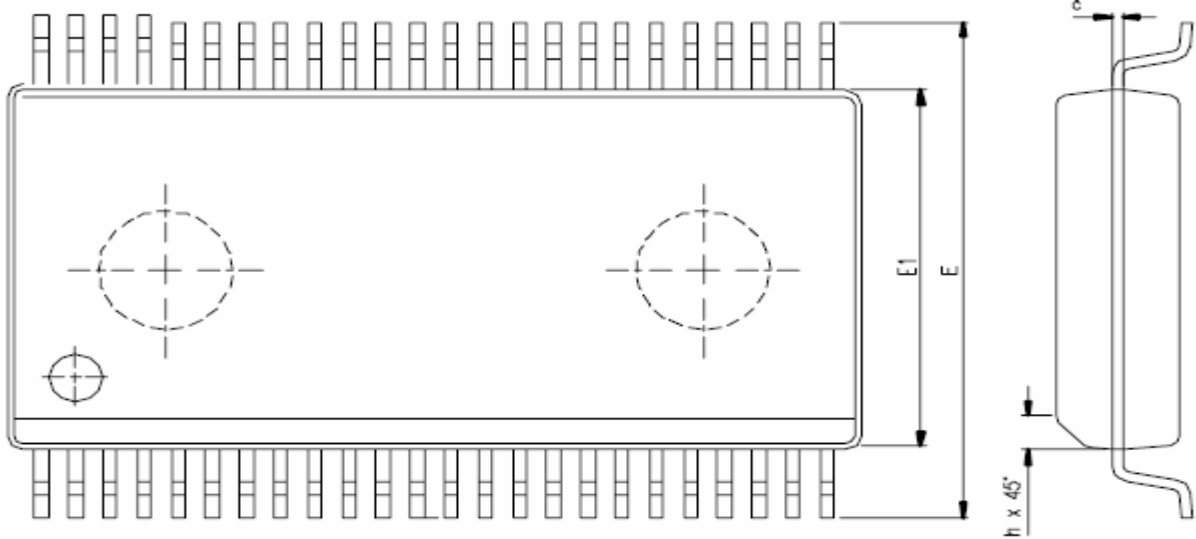
c. For serial output mode

APPLICATION FOR SERIAL OUTPUT MODE



- P.S. : 1. On PCB, the length of lines from touch pad to IC pins are best the same with K0 to K7. And the lines do not parallel and cross with other lines.
2. When the application use larger touch pad, recommend to use capacitor on the place of J1. That can improve the stability. And the value of capacitor can be used by the real application. Other application can be short on the place of J1.
3. The power supply must be stable. If the supply voltage drift or shift quickly, maybe causing sensitivity anomalies or false detections.
4. The material of panel covering on the PCB can not include the metal or the electric element. The paints on the surfaces are the same.
5. The C2 capacitor must be used between VDD and VSS; and should be routed with very short tracks to the device's VDD and VSS pins (TTP226).
6. The value of capacitors can be used by the real application for Ci and Co capacitors.

PACKAGE OUTLINE (48 PIN SSOP)



REV.	DESCRIPTION	BY	DATE
ORIG.	DRAWING ISSUE	SANDY CHEN	97.11.04
A	MODIFY E-PIN	SANDY CHEN	97.12.05
B	ADD NOTES	SANDY CHEN	00.01.19

△ NOTES : DIMENSION " D " DONE NOT INCLUDE MOLD FLASH, PROTRUSIONS OR GATE BURRS.  
MOLD FLASH, PROTRUSIONS OR GATE BURRS SHALL NOT EXCEED 0.006 INCH ( 0.1524 MM ) PER SIDE.

SYMBOL	DIMENSION IN MM			DIMENSION IN INCH		
	MIN.	NOM.	MAX.	MIN.	NOM.	MAX.
A	2.413	2.591	2.794	0.095	0.102	0.110
A1	0.203	0.305	0.406	0.008	0.012	0.016
b	0.203		0.343	0.008		0.0135
c	0.127		0.254	0.005		0.010
e	0.635 BASIC			0.025 BASIC		
E	10.033		10.668	0.395		0.420
E1	7.391	7.493	7.595	0.291	0.295	0.299
h	0.381		0.635	0.015		0.025
L	0.508		1.016	0.020		0.040
θ	0		8	0		8

N	D DIMENSION (IN INCH)			JEDEC
48	0.620	0.625	0.630	MO-118 (AA)
56	0.720	0.725	0.730	MO-118 (AB)

**ORDER INFORMATION**

- a. Package form: TTP226-XXX
- b. Chip form: TCP226
- c. Wafer base: TDP226

**REVISE HISTORY**

1. 2008/02/01
  - Original version : V\_1.0
2. 2008/06/10 => V\_1.1
  - Change the Page-1 APPLICATION.
  - Change the Page-2, 3 BLOCK DIAGRAM I/O mark.
  - Add the Page-4 the PIN TYPE description.
  - Change the Page-11, 12, 13 APPLICATION CIRCUIT.
  - Add the Page-15 the REVISE HISTORY.